

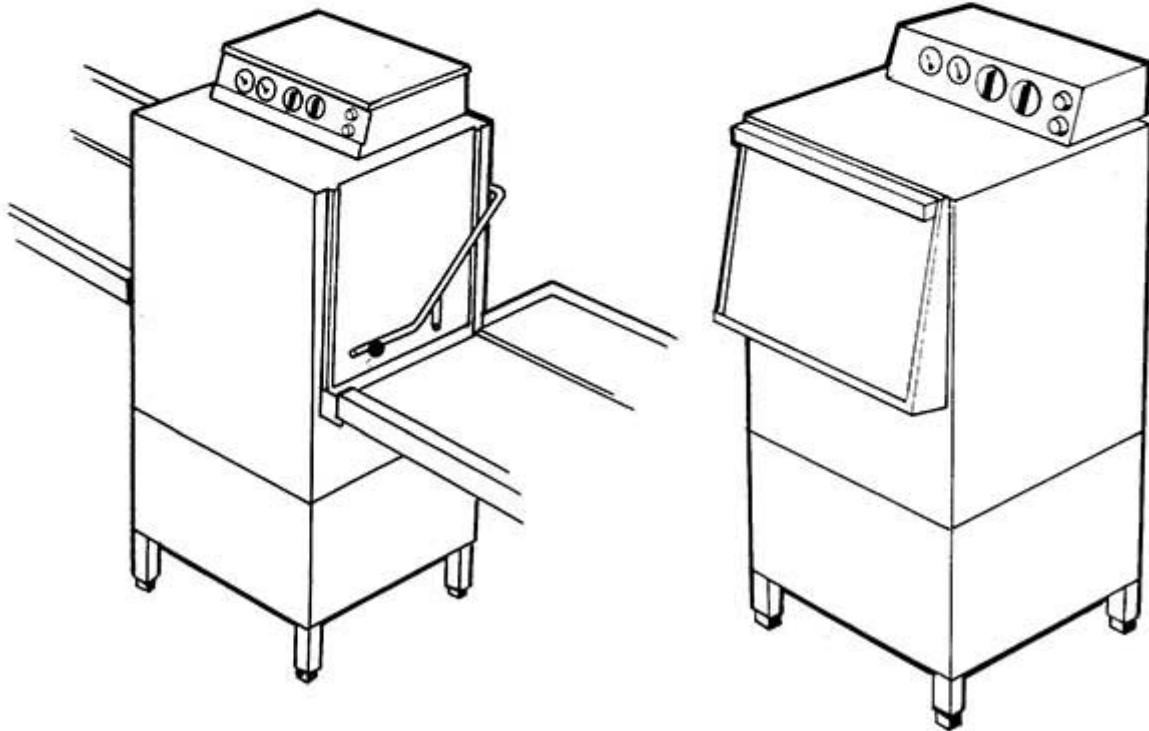
winterhalter

Spare Parts List

GS 40 / 61 / 70

Revised 11/08

Part no. 89001331



Summary

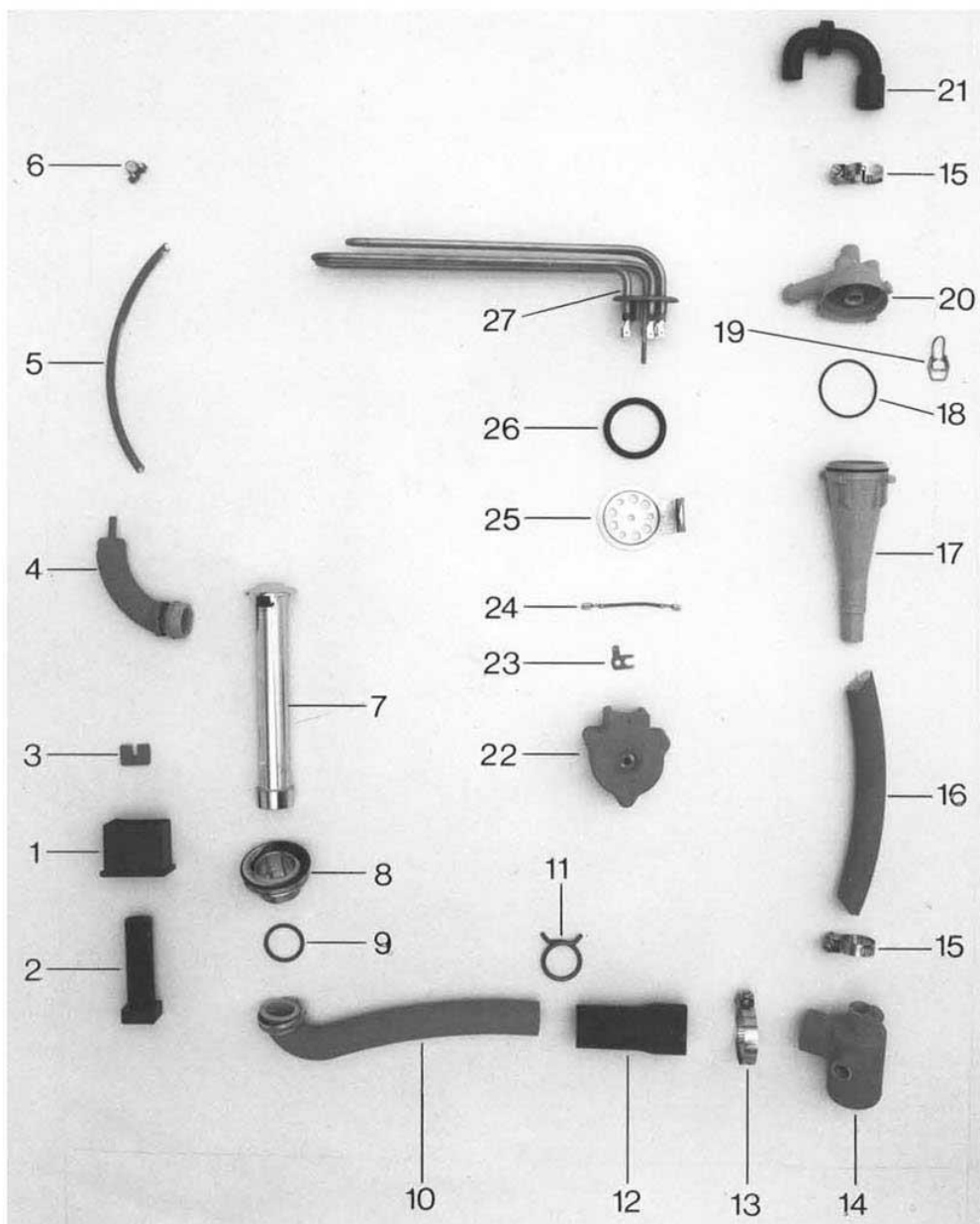
Base frame, water drain, Mediamat, tank heating	Page 1 and 2
Water supply	Page 3 and 4
Wash system I	Page 5 and 6
Wash system II	Page 7 and 8
Rinsing	Page 9 and 10
Door, frame and rails I	Page 11 and 12
Door, frame and rails II	Page 13 and 14
Electrical parts	Page 15 and 16

Racks and accessories see separate list.

Parts that have the note " Part made to order only!" are not in stock. This parts are made specially for your order and have a delivery time. They are not returnable.

GS 40 /61 / 70

Untergestell, Wasserablauf, Mediamat, Tankheizung
Base frame, water drain, Mediamat, tank heating
Châssis, écoulement, Médiamat, chauffage de la cuve

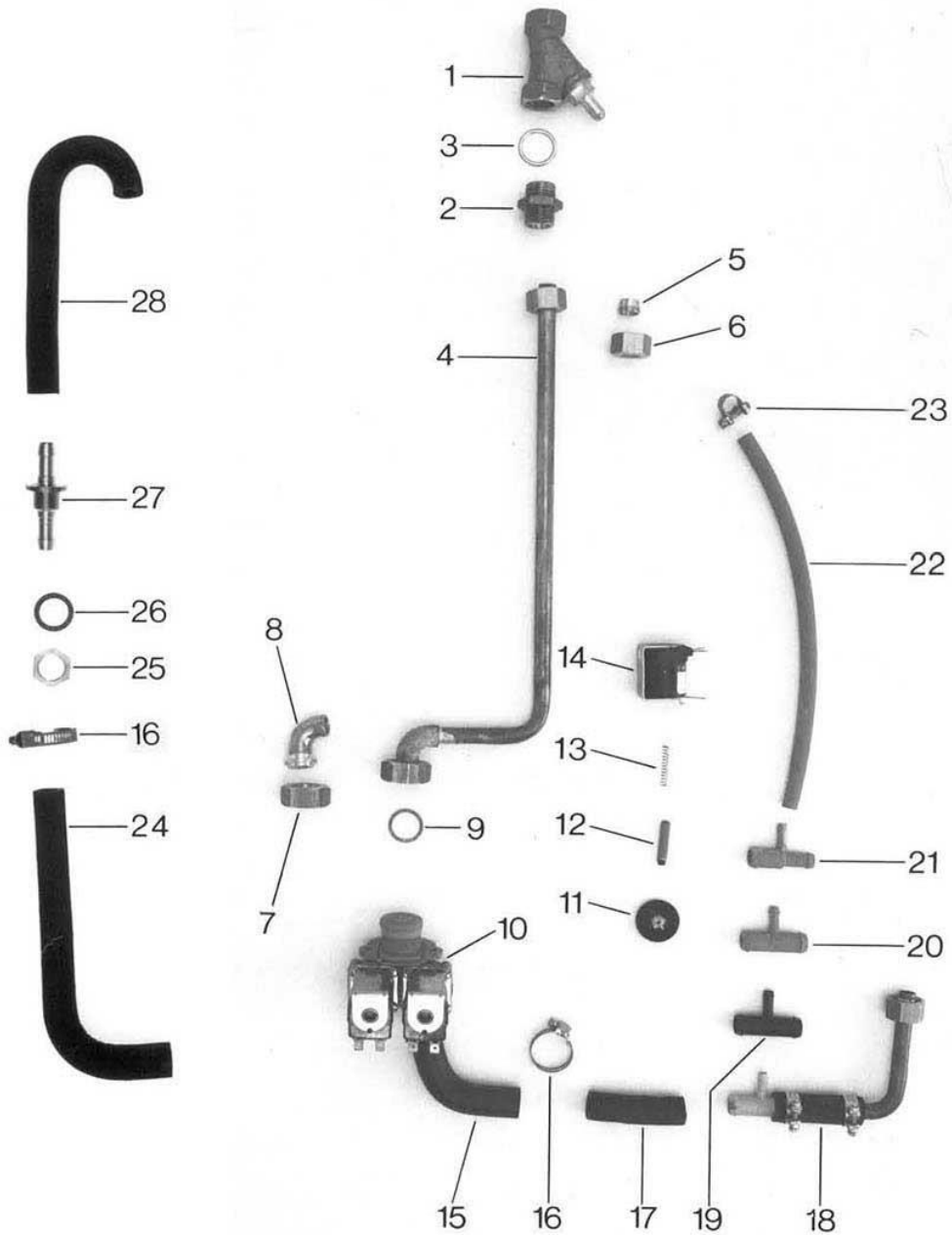


GS 40 / 61 / 70
Base frame, water drain, Mediamat, tank heating

Pos.	Designation	Part no.	40	61	70	Notes
1	Threaded insert	35 01 063	x	x	x	
2	Foot	35 01 064	x	x	x	
3	Bracket	35 01 068	x	x	x	
4	Air chamber	55 04 024	x	x	x	
5	PVC hose, clear NW 5 x 3	40 01 024	x	x	x	per meter
6	Hose clip ø 9	31 20 015	x	x	x	
7	Standpipe top part 175 mm	61004192	x			offset 61 00 3968
n.p.	Standpipe top part 205 mm	29 04 258		x	x	
8	Standpipe bottom part 1 1/4"	29 04 202	x	x	x	
n.p.	Seal to pos. 8	29 04 253				
9	Seal 38 x 30	27 09 031	x	x	x	
10	Siphon	55 05 049	x	x	x	
n.p.	Coupling nut	29 07 209				
11	Hose clip	28 02 130	x	x	x	
12	Reducer 32/40x200 lg.	40 03 024	x	x	x	cut if necessary
13	Hose clip 32-52	28 02 110	x	x	x	
14	Mediamat drain	35 01 080	x	x	x	
15	Hose clip 20-30	28 02 109	x	x	x	
16	Plastic fabric hose 19 x 4	40 01 016	x	x	x	per meter
17	Accelerator	35 01 035	x	x	x	
n.p.	Throttle	35 01 123	x	x	x	to pos. 17
18	O-ring 51 x 3,0	27 07 043	x	x	x	since 10/87
19	Spring locking	28 04 041	x	x	x	
20	Head piece	35 01 124	x	x	x	
21	Mediamat inlet	55 31 001	x	x	x	
22	Covering cap	31 03 014	x	x	x	
23	Link wire	31 23 088	x	x	x	
24	Flat earth plug	31 12 034	x	x	x	
25	Tank heating flange	31 03 067	x	x	x	
26	O-ring	27 07 069	x	x	x	for heating element
27	Heating element 220/380 V 6 kW	31 03 025	x	x	x	
n.p.	Heating element 240/420 V 6 kW	31 03 042	x	x	x	
n.p.	Heating element conversion kit	55 31 003	x	x	x	until 1973 without heating element
n.p.	Lateral panel right	55 03 047	x			Part made to order only!
n.p.	Lateral panel left	55 03 048	x			Part made to order only!
n.p.	Lateral panel	55 03 049		x		Part made to order only!
n.p.	Lateral panel left	55 03 050			x	Part made to order only!
n.p.	Lateral panel right	55 03 051			x	Part made to order only!
n.p.	Front panel	55 03 041	x			Part made to order only!
n.p.	Front panel	55 03 042		x	x	Part made to order only!
n.p.	Front panel corner	55 03 054	x			corner machine Part made to order only!

GS 40 / 61 / 70

Wassenzulauf und Wassereinlauf Water feed and water inlet Amenée d'eau et arrivée d'eau

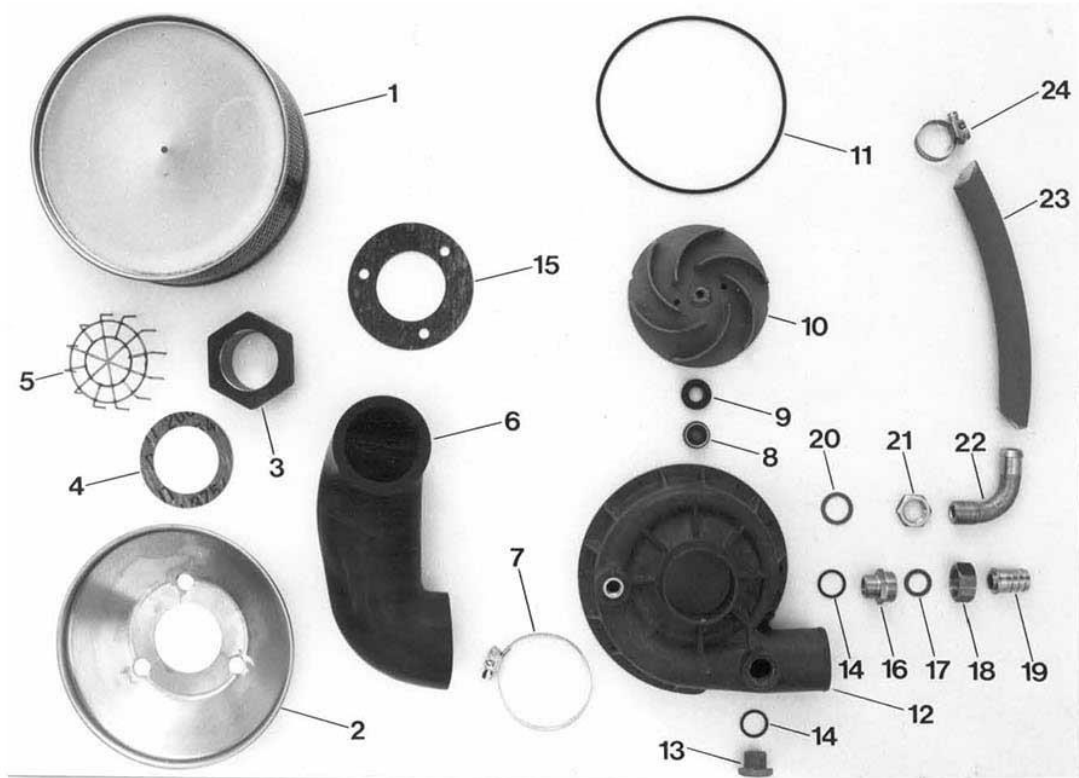


GS 40 / 61 / 70 Water supply

Pos.	Designation	Part no.	40	61	70	Notes
1	Non return valve	29 03 230	x	x	x	
2	Double nipple	70000459	x	x	x	
3	Seal	27 04 006	x	x	x	
4	Water supply	55 28 231	x			
5	Cutting ring D 12	29 07 300	x	x	x	
6	Coupling nut 1/2" BSP	29 07 201	x	x	x	
7	Coupling nut 3/4" BSP	29 07 203	x	x	x	
8	Connection elbow		x	x	x	replaced by 55 28 231
9	Seal 19,5 x 24	27 09 010	x	x	x	
10	Double solenoid valve	31 06 182	x	x	x	
n.p.	Plastic bottom part					
11	Diaphragm		x	x	x	no more available replaced by 31 06 182
12	Plunger		x	x	x	
13	Spring		x	x	x	
14	Magnetic coil 220-240 V/50-60 Hz		x	x	x	
15	Hose elbow ø 14	40 03 001	x	x	x	
16	Hose clip 14-22	28 02 301	x	x	x	
17	Fabric hose 13 x 3,5	40 02 029	x	x	x	per metre, for pos. 18
18	Boiler inlet elbow	55 09 041	x	x	x	
n.p.	Boiler inlet elbow	55 09 011		x	x	until 11/71
19	T-piece black	35 01 086	x	x	x	
20	Diffuser T-piece grey 14 x 7 x 14 ø	35 01 087	x	x	x	for older machines
21	Diffuser T-piece grey 14 x 7 x 9 ø	35 01 087	x	x	x	
22	Hose 5 x 3	40 01 024	x	x	x	per meter
23	Hose clip ø 11	28 02 348	x	x	x	
n.p.	ELT 10 dispenser	55 28 278	x	x	x	
n.p.	Fixing kit for ELT 10	55 25 029	x	x	x	
24	Tank inlet	40 03 003	x	x	x	cut if necessary
25	Locking nut 3/8" BSP	30 09 200	x	x	x	Seal 27 09 009
24	Tank inlet hose 1300 lg.	40 03 050	x	x	x	inlet at the backboard
27	Double hose nipple 3/8"	29 06 211	x	x	x	
28	Tank inlet 245 lg.	40 03 007	x	x	x	
n.p.	Straight hose nipple	29 06 210	x	x	x	
n.p.	Coupling nut 1/2" BSP	29 07 201	x	x	x	for older machines
n.p.	Double nipple 1/2" BSP	30 11 301	x	x	x	
n.p.	Interior cover	35 01 505	x			
n.p.	Interior cover	35 01 504		x	x	
29	Water inlet	55 31 007	x	x	x	

GS 40 / 61 / 70

Waschsystem I
Wash system I
Système de lavage I

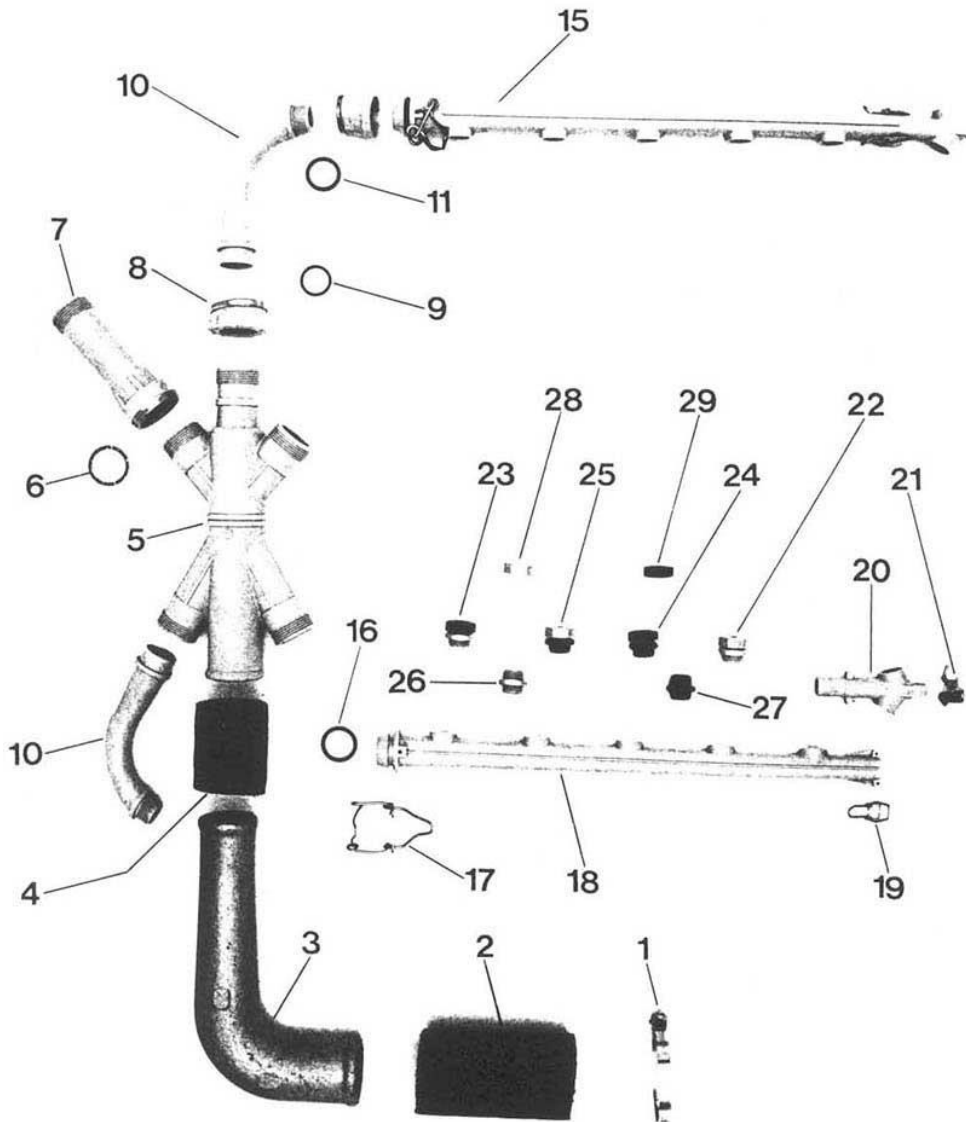


**GS 40 / 61 / 70
Wash system**

Pos.	Designation	Part no.	40	61	70	Notes
1	Pump filter	55 13 009	x			
n.p.	Pump filter	55 13 004		x	x	
2	Sieve plate	55 13 011	x	x	x	
3	Pump nipple	02 30 001	x	x	x	
4	Seal	27 09 005	x	x	x	
5	Coarse sieve	55 13 112	x			since 2/89
n.p.	Coarse sieve	61002500	x	x	x	since 2/89
6	Hose elbow	40 03 017	x			
7	Hose clip	28 02 120	x	x	x	
n.p.	Pump 1,1 kW 220/380 V, plast.	31 02 263	x			
n.p.	Pump 1,1 kW 240/420 V, plast.	31 02 263	x			
8	Sliding ring seal	80 002673	x			consist. of pos.8; 9;11
n.p.	Fan wheel	31 02 211				
n.p.	Fixing clip	31 02 218				
9	Counterrotating ring	80 002673	x			consist. of pos.8; 9;11
10	Impeller	31 02 207	x			for 1,7 kW pump
	Impeller	31 02 273	x			for 1,1 kW pump
11	O-ring	31 02 209	x			
12	Pump housing	31 02 204	x			
13	Stopper 1/2"BSP	35 01 108	x			
14	O-ring 20 x 3,5	27 07 040	x			
15	Suction arm seal	27 06 001	x			
n.p.	Pump 2,7 kW 220/380 V	55 14 011		x	x	spare parts see sep.list
n.p.	Pump 2,7 kW 240/420 V	55 14 011		x	x	
16	Reduction nipple 1/2" x 3/4"BSP	30 11 502	x	x	x	since 9/88
17	Seal 24 x 17	27 09 009	x			
18	Coupling nut 3/4" BSP	29 07 203	x			
19	Hose clip	29 06 215	x			
20	Seal 28 x 21	27 09 011	x	x	x	
21	Locking nut 1/2" BSP	30 09 201	x	x	x	
22	Mediamat inlet 1/2" x 18 ø	29 06 524	x	x	x	+ 29 07 203 + 30 11 502
n.p.	Mediamat inlet plastic	29 06 124				
23	Reducing hose 16 x 4	40 03 036		x	x	
24	Hose clip 20-30	28 02 109	x	x	x	
23	Reducing hose	61 002390	x			
n.p.	Fan hood	31 02 212	x			

GS 40 / 61 / 70

Waschsystem II
Wash system II
Système de lavage II

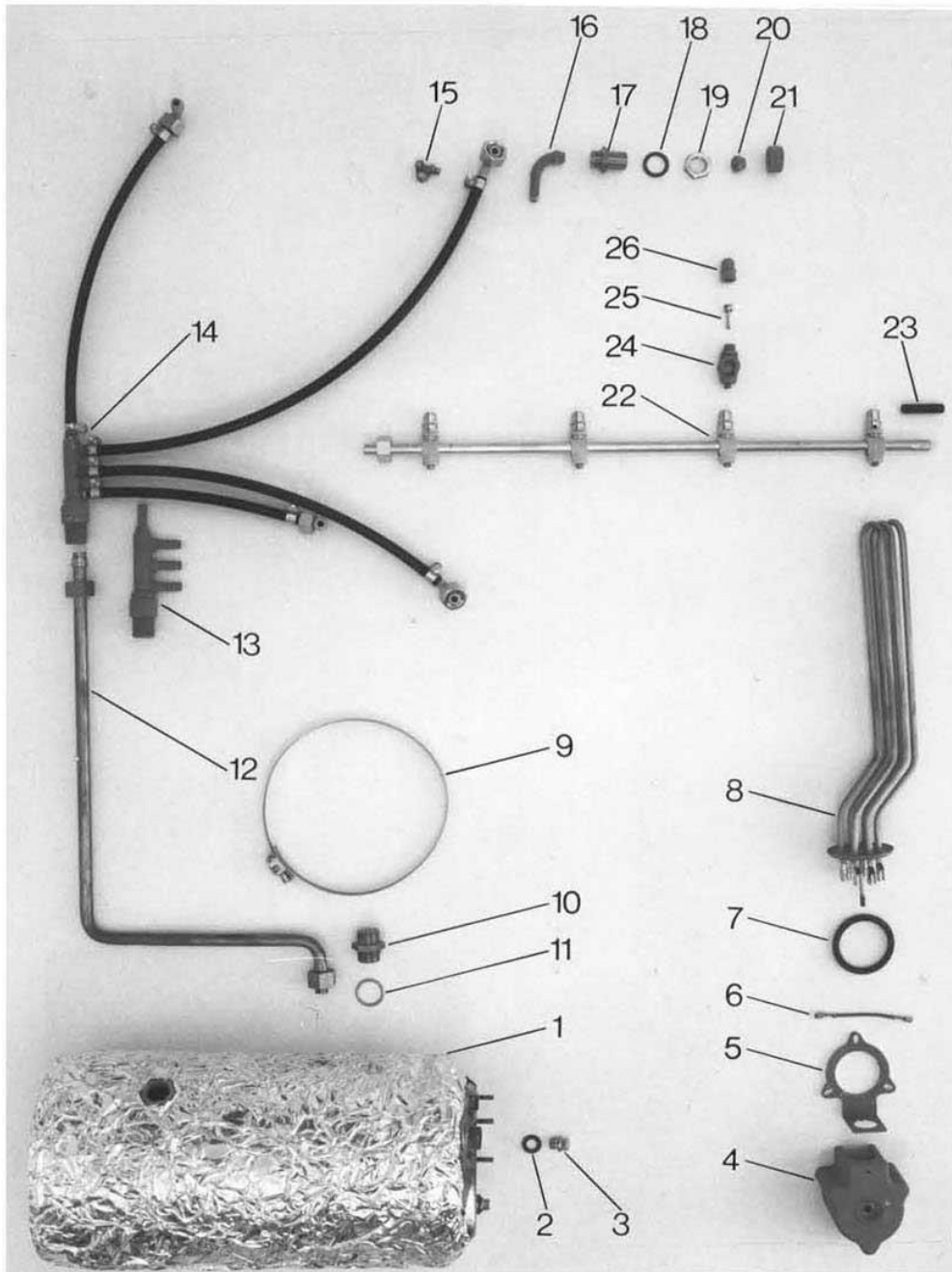


GS 40 / 61 / 70
Wash system II

Pos.	Designation	Part no.	40	61	70	Notes
1	Hose clip 70 – 90	28 02 120	x	x	x	
2	Pump hose ø 60 x 140	40 02 007		x	x	per meter
3	Reduction elbow plastic	55 06 051		x	x	since 4/88
4	Pump hose ø 50 x 200	40 02 006		x	x	per meter
n.p.	Pump hose ø 50 x 330	40 02 006	x			per meter
5	Manifold	35 01 002	x	x	x	
6	Seal 32 x 39	27 02 001	x	x	x	
7	Extension	35 01 003	x	x	x	
8	Coupling nut	35 01 004	x	x	x	
9	O-ring 24 x 3	27 07 066	x	x	x	
10	Angle	35 01 005	x	x	x	
n.p.	Manifold cpl.	55 06 006	x	x	x	= pos. 5; 6; 7; 8; 9; 10
11	Seal 33 x 26 ø	27 01 003	x	x	x	
12	Ring nut ¾" x 32	35 01 006	x	x	x	
	Extension 40,5 long	35 01 019	x			before 1970 to pos. 12
15	Wash arm cpl.	61000945	x	x	x	with jets
n.p.	Wash arm	61000945		x		with jets
16	O-ring 27 x 4	27 07 016	x	x	x	
17	Spring locking	28 04 040	x	x	x	
18	Wash arm	35 01 008	x	x	x	only cpl.available pos. 15
19	Spring locking	28 04 041	x	x	x	
20	End piece	35 01 009		x		
n.p.	End piece	35 01 010	x		x	
21	Wash arm support	55 08 008	x	x	x	
22	Wash jet grey/grey	29 10 520	x	x	x	
23	Wash jet grey/black	29 10 522	x	x	x	
24	Wash jet black/black	29 10 527	x	x	x	
25	Wash jet black/grey	29 10 528	x	x	x	
26	Wash jet base grey	29 10 523	x	x	x	
27	Wash jet base black	29 10 529	x	x	x	
28	Wash jet cap grey ø 6	29 10 524	x	x	x	
29	Wash jet cap black ø 5	29 10 526	x	x	x	
n.p.	Wash arm support top/front	55 08 004	x			corner exec.; drill new fix. holes
n.p.	Wash arm support top/front	55 08 005			x	
30	O-Ring	27 07 039	x	x	x	

GS 40 / 61 / 70

Nachspülung Rinsing Rinçage

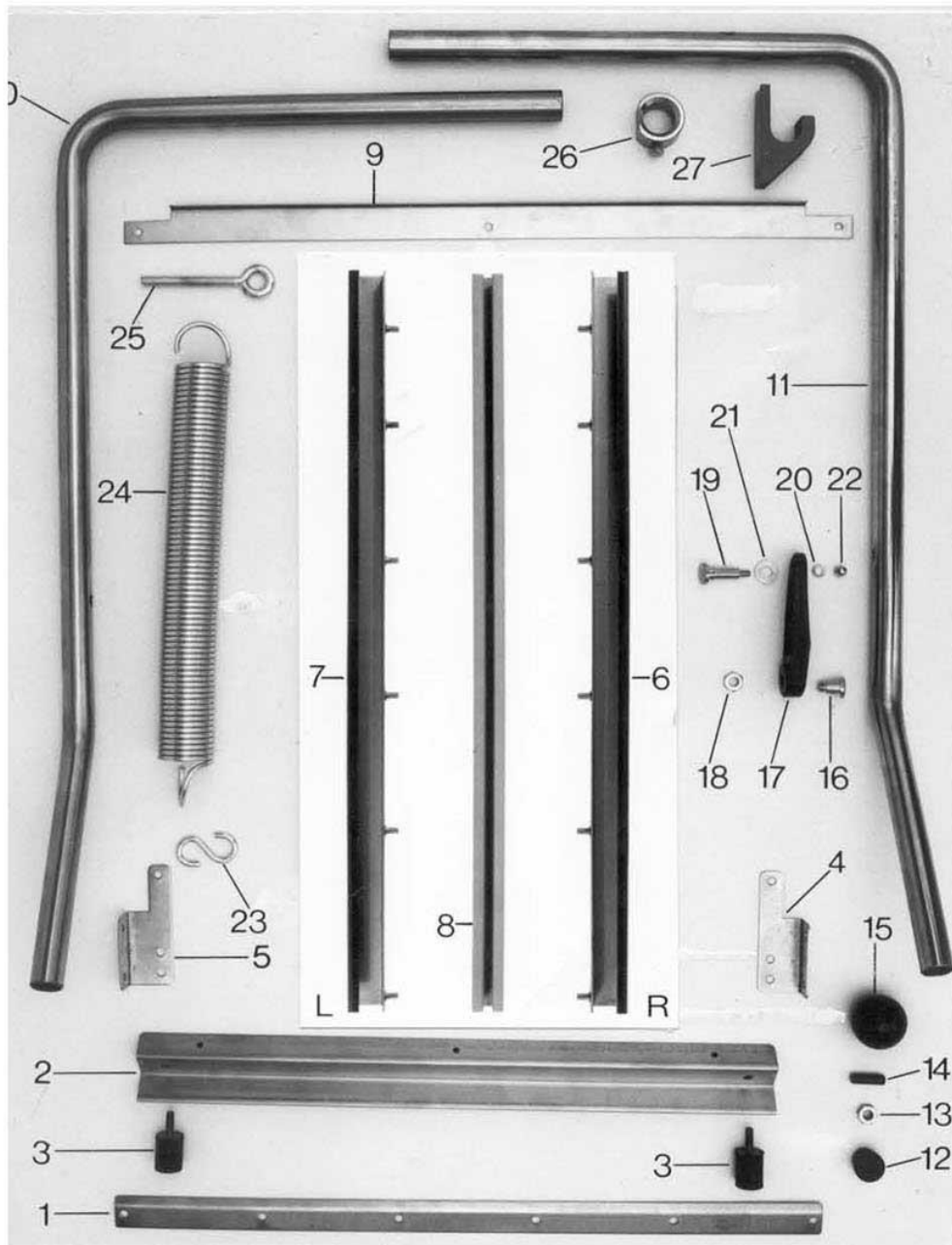


GS 40 / 61 / 70 Rinsing

Pos.	Designation	Part no.	40	61	70	Notes
n.p.	Boiler 12 kW + 6 kW	55 12 032	x	x	x	since 6/84 480 lg.
n.p.	Boiler 12 kW + 6 kW	55 12 023	x	x	x	until 5/84, 370 lg.
2	Fibre seal	27 03 003	x	x	x	
3	Locking screw M 10 x 1 x 16	20 01 352	x	x	x	
4	Covering cap	31 03 014	x	x	x	
n.p.	Cable screwing	31 10 040	x	x	x	
n.p.	Nut	31 10 041	x	x	x	
5	Clamping ring with angle	55 19 018	x	x	x	
6	Link wire	31 23 088	x	x	x	
7	O-ring	27 07 069	x	x	x	
8	Heating element 6 kW 220/380 V	31 03 017	x	x	x	
n.p.	Screw-in heat.el.6 kW 220/380 V		x	x	x	no more available evt. 55 28 065
n.p.	Screw-in heat.el.5 kW 220/380 V		x	x	x	no more available evt. 55 28 065
n.p.	Heating element convers. 6 kW	55 31 005	x	x	x	without heating element
9	Hose clip 182-202	28 02 121	x	x	x	
10	Double nipple 1/2"	70000459	x	x	x	
11	Seal \varnothing 28 x \varnothing 21 x 2	27 09 011	x	x	x	
12	Rinse inlet	55 11 034	x			since 2/72
n.p.	Rinse inlet	55 11 035			x	copper pipe GS 61 = 55 11 036
13	Rinse manifold	35 01 023	x	x	x	
14	Rinse manifold cpl.	55 09 001	x	x	x	
15	Hose clip \varnothing 10	28 02 102	x	x	x	
n.p.	Tecalan pipe 10 x 8	40 01 002	x	x	x	per meter
16	Hose angle \varnothing 10	29 06 500	x	x	x	
17	Double nipple 3/8" BSP	30 11 200	x	x	x	
18	Seal 24 x 17	27 09 009	x	x	x	
19	Locking nut 3/8" BSP	30 09 200	x	x	x	
20	Clamping ring \varnothing 10	29 07 500	x	x	x	
21	Coupling nut 3/8"	29 07 200	x	x	x	
22	Rinse pipe 515 lg.	55 10 016	x			
n.p.	Rinse pipe 583 lg.	55 10 015		x	x	cut GS 61
23	Threaded pin M 10 x 40	20 30 501	x	x	x	
24	Hinged piece	55 10 008	x	x	x	
25	Spray jet swirl	65002764	x	x	x	
26	Spray jet cap	65002765	x	x	x	
n.p.	Rinse aid container	35 02 004				

GS 40 / 61 / 70

Türe, Rahmen, Schienen
Door, frame, rails
Porte, cadre, barres

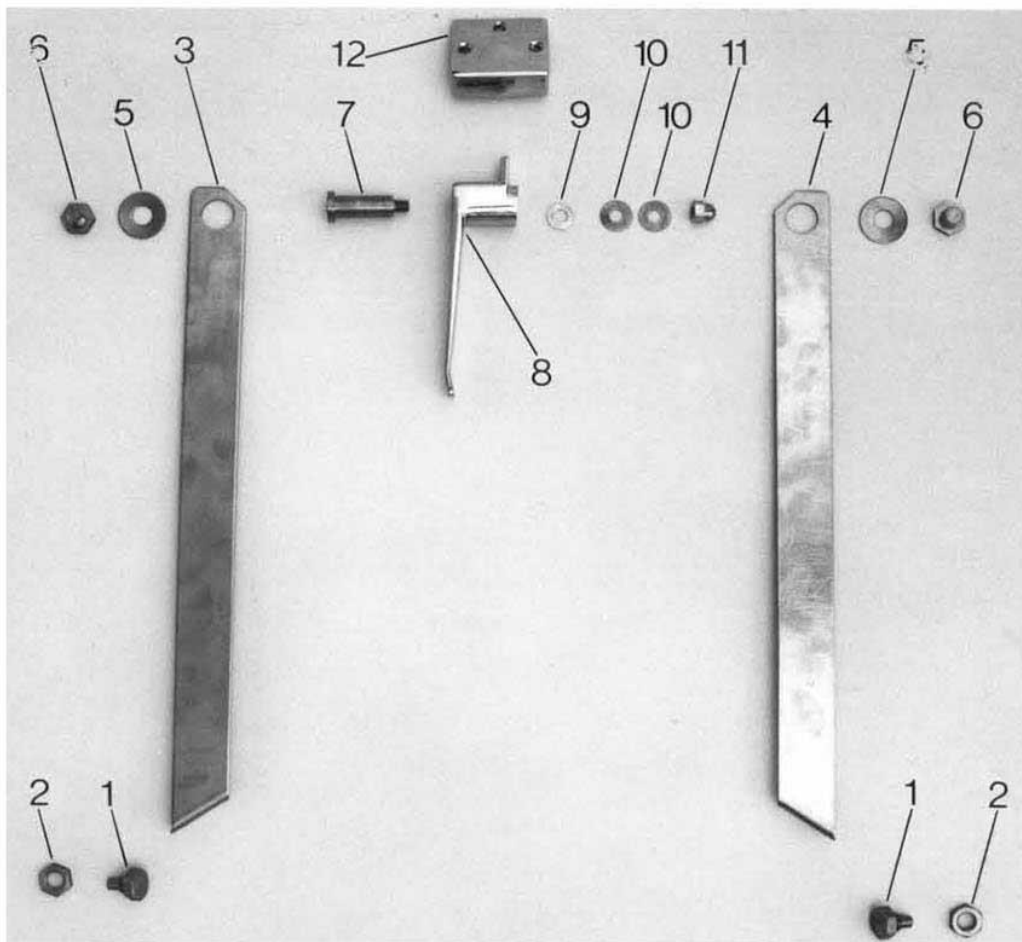


GS 40 / 70
Door, frame and rails I

Pos.	Designation	Part no.	40	61	70	Notes
1	Pressure rail	55 15 055	x			
n.p.	Pressure rail	55 15 056			x	
n.p.	Pan head screw M4 x 8	20 10 309	x		x	
n.p.	Nut M4; SW 7	21 05 202	x		x	
n.p.	Seal	22 08 503	x		x	
2	Protective plate	55 15 023	x			
n.p.	Protective plate	55 15 024			x	
3	Rubber metal buffer	40 06 004	x		x	
4	Supporting angle right	55 16 029	x		x	
5	Supporting angle left	55 16 030	x		x	
n.p.	Door	55 15 025	x			
n.p.	Door	55 15 026			x	GS 40 corner
6	Sliding rail right	55 15 029	x		x	as from '83 synthetic element
7	Sliding rail left	55 15 030	x		x	
8	Plastic insert for sliding rail	61004175	x		x	
n.p.	Hexagon screw M 5 x 10	20 01 300	x		x	
9	Reinforcing angle	55 15 018	x			
n.p.	Reinforcing angle	55 15 019			x	
10	Door lever GS 40 corner	55 24 007	x			left small door , Part made to order only!
n.p.	Door lever GS 40 corner	55 24 006	x			right small door , Part made to order only!
11	Door lever GS 40 corner	55 24 013	x			right large door, Part made to order only!
n.p.	Door lever GS 40 corner	55 24 012	x			left large door , Part made to order only!
n.p.	Door lever	55 24 001	x			
n.p.	Door lever	55 24 003		x		
12	Locking cap	35 03 004	x		x	
13	Hexagon nut M 8	21 01 305	x		x	
14	Stud bolt M8 x 25	20 30 002	x		x	
15	Ball handle	28 05 012	x		x	
16	Lens head screw M8 x 23	20 18 262	x		x	fixing for door
17	Draw lever	35 01 067	x		x	
18	Nut M 8	21 02 303	x		x	
19	Draw lever gudgeon	20 19 201	x		x	fixing for door lever
20	Washer 5,3 ø	22 02 203	x		x	
21	Washer 8,4 ø	22 01 303	x		x	
22	Dome head nut M 5	21 10 303	x		x	
23	S-hook	28 15 009	x		x	
n.p.	Link chain	28 15 008	x		x	per metre
24	Tension spring	28 04 001	x		x	
25	Eye bolt	20 06 001	x		x	
26	Set collar	23 05 002	x		x	only for corner
27	Door lever bearing	35 01 066	x		x	
n.p.	Rack guide, front	55 16 017			x	
n.p.	Rack guide, rear	55 16 018			x	
n.p.	Rack guide, front	55 16 013	x			Part made to order only!
n.p.	Rack guide, rear	55 16 014	x			
n.p.	Castor old	35 01 054	x		x	12 pieces
n.p.	Screw for castor 116 x 25	20 19 200	x		x	nut 21 01 304

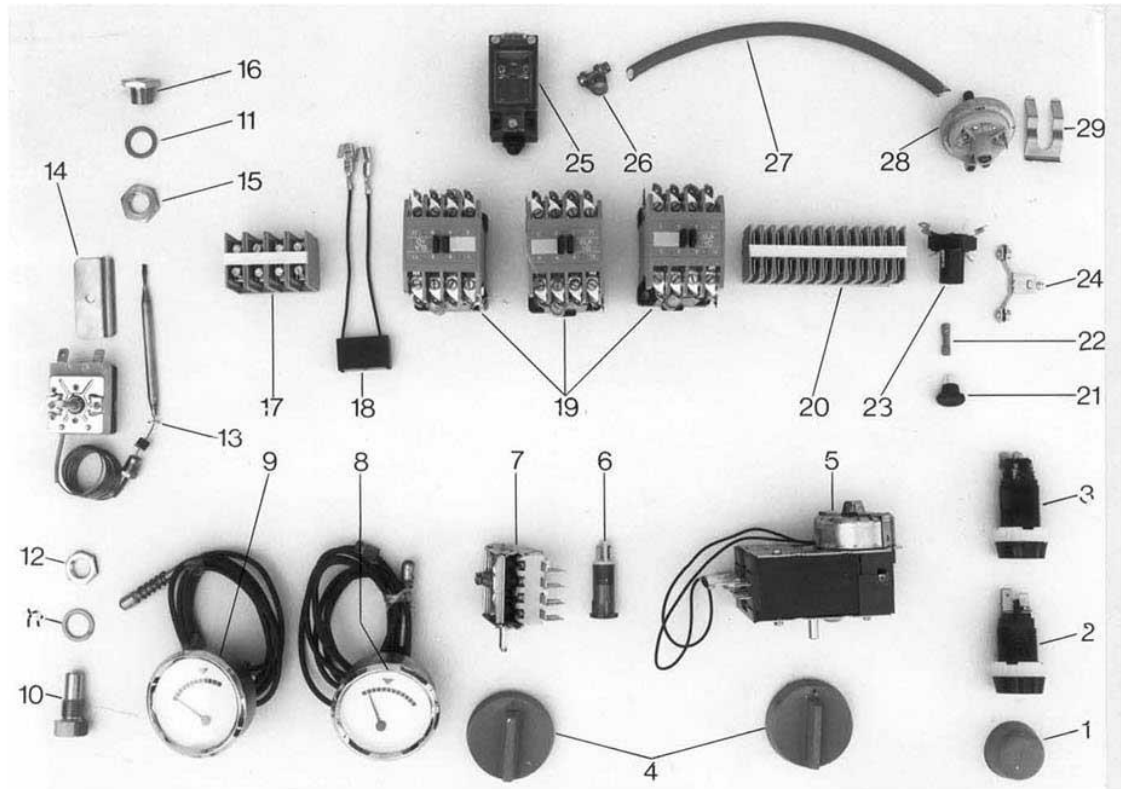
GS 40 / 61 / 70

Türe, Rahmen, Schienen II
Door, frame, rails II
Porte, cadre, barres II



GS 40 / 61 / 70

Elektroteile
Electrical parts
Matériel électrique



GS 40 / 61 / 70
Electrical parts

Pos.	Designation	Part no.	40	61	70	Notes
1	Sealing cap transparent	31 24 208	x	x	x	
2	Pressure key button, white	31 24 001	x	x	x	
3	Pressure switch, black	31 24 002	x	x	x	
4	Locking button cpl. blue	55 19 036	x	x	x	
5	Programme switch	31 05 100	x	x	x	also MA 22
n.p.	Programme switch 60 Hz	31 05 121	x	x	x	60 Hz
6	Pilot light, green	31 08 002	x	x	x	red until 12/78
n.p.	Spring disk signal lamp	31 08 029	x	x	x	
7	Control switch	31 24 008	x	x	x	
8	Remote thermometer 50°C	32 01 016	x	x	x	tank
9	Remote thermometer 80°C	32 01 015	x	x	x	boiler
10	Gland for thermometer	32 01 030	x	x	x	
11	Seal	27 09 036	x	x	x	
12	Locking nut	31 25 002	x	x	x	
13	Thermostat	31 25 013	x	x	x	
14	Pipe clip	55 19 035	x	x	x	
15	Locking nut 14 x 1	31 25 002	x	x	x	
16	Gland thermostat	31 25 001	x	x	x	
17	Terminal strip 4 sections	55 19 071	x	x	x	
18	RC-link 0,25 µF	60 000990	x	x	x	
19	Contacteur	31 04 161	x	x	x	
20	Terminal strip 13 sections	55 19 070	x	x	x	
21	Screw cap	31 11 048	x	x	x	
22	Fuse insert 6,3 Amp.	31 11 043	x	x	x	
23	Fuse base	31 11 057	x	x	x	
24	Earth terminal	31 09 059	x	x	x	
25	Limit switch	31 24 216	x	x	x	
26	Hose clip ø 9	28 02 348	x	x	x	
27	Hose NW 5 x 3	40 01 024	x	x	x	per meter
28	Level switch 105 / 75 green	31 26 003	x	x	x	round
n.p.	Level switch 105 7 75 green	31 26 023				since 7/85 oval
29	Friction spring	31 26 001	x	x	x	
n.p.	Coupling piece (AMP)	31 12 021	x	x	x	
n.p.	O-ring for limit switch bar	27 07 013		x		
n.p.	Control box plate	28 03 230	x	x	x	cut to fit
n.p.	Switch box cover top CNS	61 003357	x	x	x	+1 x 28 03 192; 1 x 80 002171 cut to fit